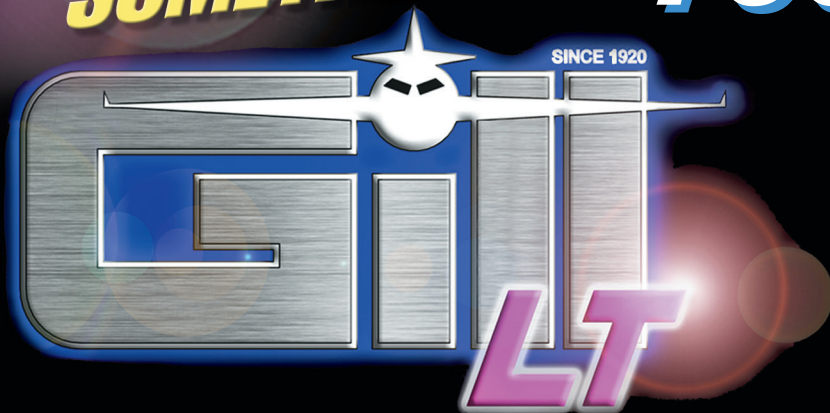


**LET'S START SOMETHING!**

7035-28  
FAA-PMA

# 7000 SERIES



QUALITY, DURABILITY,  
AND RELIABILITY WHEN  
YOU NEED IT.

**VRLA, NON-SPILLABLE**

## The Original Equipment Aircraft Battery

**State of the art features:**

- TSO Authorized
- Best Shelf Life in Lead-Acid Chemistry
- Lower Weight
- Dependable
- Durable, very Robust Construction
- High Reliability through Engineered Processes
- Improved Energy Density
- Best Discharge and Recharge Efficiency in Valve-Regulated Lead-Acid
- Tested to DO-160E
- FAA/PMA Approved



### Specifications

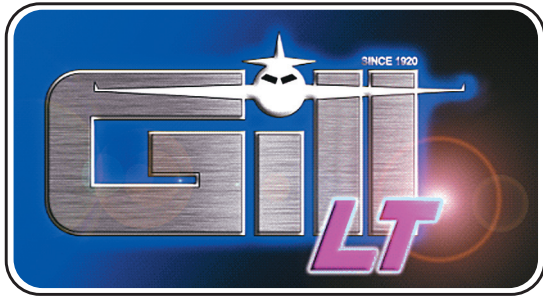
Model	7035-28		
Nominal Voltage, V	12		
One Hour Capacity, C1, Ah	28		
30 minute Emergency Rate, C/2, A	45		
Weight, Lb.	28		
Power Performance	24°C (75°F)	-18°C (0°F)	-30°C (-22°F)
I <sub>pp</sub> , A	1,599	1,100	850
I <sub>pr</sub> , A	1,088	840	600



**TELEDYNE**  
BATTERY PRODUCTS  
A Teledyne Technologies Company

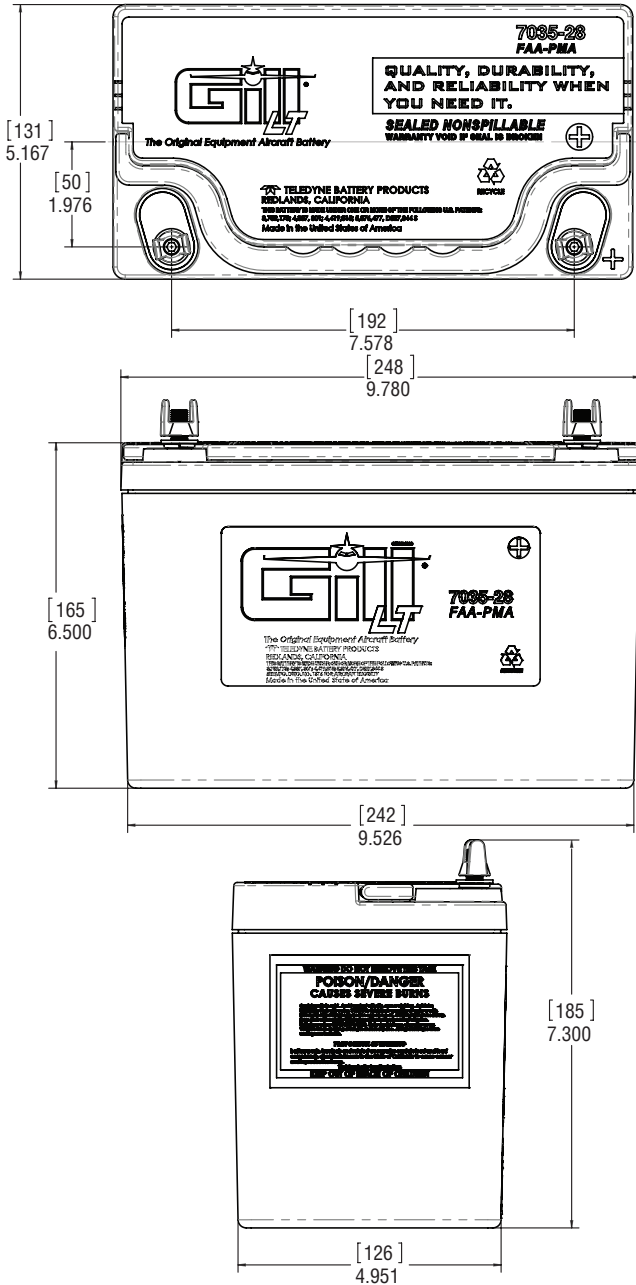
840 W. Brockton Ave., Redlands, CA 92374  
(800) 456-0070 • (909) 793-3131 • Fax: (909) 793-5818

[www.gillbatteries.com](http://www.gillbatteries.com)



# 7035-28

**The Original Equipment Aircraft Battery**



**TELEDYNE**  
BATTERY PRODUCTS  
A Teledyne Technologies Company

840 W. Brockton Ave., Redlands, CA 92374  
(800) 456-0070 • (909) 793-3131  
Fax: (909) 793-5818

[www.gillbatteries.com](http://www.gillbatteries.com)

## FAA - PMA ELIGIBLE INSTALLATION

MAKE ELIGIBILITY	MODEL ELIGIBILITY
<b>Alexandria Aircraft</b>	17-30, 17-30A, 17-31, 17-31A, 17-31TC, 17-31ATC
<b>American Champion</b>	7GCAA, 7GCBC, 7KCAB, 8KCAB
<b>Cessna</b>	177, 177A, 177B, 180A, 180B, 180C, 180D, 180E, 180F, 180G, 180H, 180J, 180K, 182A, 182B, 182C, 182D, 182E, 182F, 182G, 182H, 182J, 182K, 182L, 182M, 182N, 182P, 182Q, 185, 185A, 185B, 185C, 185D, 185E, A185E, A185F, A188A, A188B, 190, 195, 195A, 195B, 206, P206, P206A, P206B, P206C, P206D, P206E, U206, U206A, U206B, U206C, U206D, U206E, U206F, U206G, 207, 207A, T207, T207A, 210, 210B, 210C, 210D, 210E, 210F, 210G, 210H, 210J, 210K, T210F, T210G, T210H, T210J, T210K, T210L, T210M, T210N, T210R
<b>CPAC, Inc.</b>	112, 112B, 112TC, 112TCA, 114, 114A
<b>Globe</b>	GC-1A, GC-1B
<b>Hawker Beechcraft</b>	19A, B19, M19A, 23, A23, A23A, A23-19, A23-24, B23, C23, A24, A24R, B24R, C24R, E33, E33A, F33, F33A, F33C, G33, 35, 35-33, 35-A33, 35-B33, 35-C33, 35-C33A, A35, B35, C35, D35, E35, F35, G35, H35, J35, K35, M35, N35, P35, S35, V35, V35A, V35B, 36, A36, A36TC, B36TC, G36, V35B, 76
<b>Mooney</b>	M20, M20A, M20B, M20C, M20D, M20E, M20F, M20G, M20J, M20K,
<b>Piper</b>	PA-18, PA-18A, PA-18S, PA-18S"125", PA-18A"135", PA-18S"135", PA-18"150", PA-18A"150", PA-20", PA-20S, PA-20"115", PA-20S"115", PA-20"135", PA-20S"135", PA-22, PA-22-108, PA-22-135, PA-22S-135, PA-22-150, PA-22S-150, PA-22-160, PA-22S-160, PA-23, PA-23-160, PA-23-235, PA-23-250, PA-24, PA-24-250, PA-24-260, PA-24-400, PA-28-140, PA-28-150, PA-28-151, PA-28-160, PA-28-161, PA-28-180, PA-28-181, PA-28-201T, PA-28-235, PA-28-236, PA-28R-180, PA-28R-200, PA-28R-201, PA-28R-201T, PA-28RT-201, PA-28RT-201T, PA-30, PA-32-260, PA-32-300, PA-32-301, PA-32-301T, PA-32R-300, PA-32R-301, PA-32R-301T, PA-32RT-300, PA-32RT-300T, PA-34-200, PA-34-200T, PA-36-375, PA-39, PA-44-180, PA-44-180T
<b>Maule</b>	M-4-180V, M5-180C, M-5-235C, M-6-180, M-6-235, M-7-235, MX-7-180, MXT-7-180, MT-7-235, M8-235, MX-7-160, MXT-7-160, MX-7-180A, MXT-7-180A, MX7-180B, M-7-235B, M-7-235A, M-7-235C, MX-7-180C, M-7-260, M-7-260C, MT-7-260, MX-7-160C, MX-7-180AC